

Mintori Freestanding Contour Spa Bath [14 Jets]

Product Code: **MI1800FSCNSPAWC**

 **MADE IN AUSTRALIA**



Spa shell



Pump, jets & fittings
[refer to decina.com.au]

The Mintori has generous reclining lumbar supports, perfect for dual bathing and the classic oval design features a generous bath rim. Removable side panels, which use a patented magnetic fixing system, create access for easier installation & cleaning.

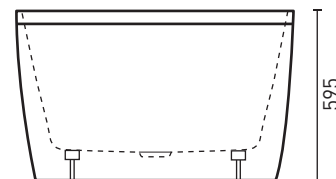
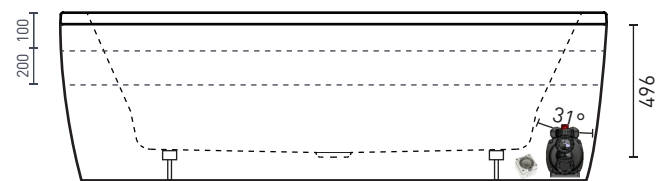
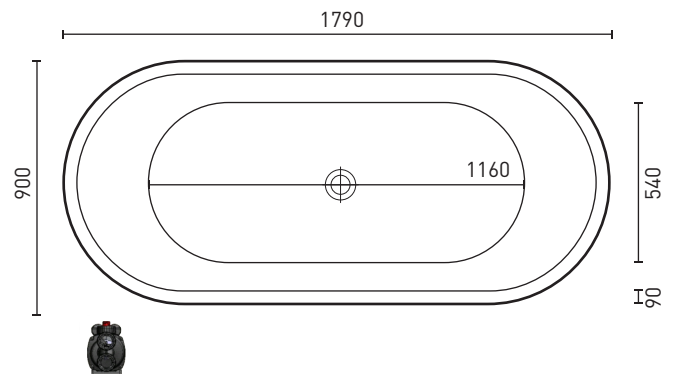
- AS/NZ Standard 2023/1995
- Adjustable self-supporting feet
- Removable side panels
- Steel rod reinforced rim
- Lumbar support
- Suitable for dual bathing
- 6 x flush C-Lenda™ centro jets
- 8 x flush C-Lenda™ mini jets
- 2 x flush C-Lenda™ air controls
- 1 x flush C-Lenda™ suction
- 1 x Sensa-Touch pad control (rim mounted)
- 750 watt 3-stage heat boost pump

PRODUCT SPECIFICATIONS

Colour:	High gloss white
Material:	Premium sanitary grade acrylic
Length:	1790mm
Width:	900mm
Height:	595mm - 630mm [height adjustable]
Capacity:	190L [200mm below the bath rim]
Bath Type:	Freestanding spa bath
Waste Position:	Centre
Net Weight:	85kg
Pump	6102
Voltage	240W
Power	750W
Heater	700W
Current	7.5A
Flow Rate	350LPM

OPTIONAL ACCESSORIES

- 40mm Removable pop-up waste *Chrome* **WA001**,
White Gloss **WA002**, *Black Matte* **WA003**
- Pop-up waste & overflow kit *Chrome* **OWA001**
- Pop-down waste & overflow kit *Chrome* **OWA002**
- Pop-down waste & overflow kit *Black* **OWA003**
- Sia headrest *Black Curved* **SY242-B**



Spa bath pumps must be fitted in accordance with relevant national wiring electrical standards AS3000. The pump is fitted with a standard 10A three pin plug power supply. The spa bath pump power connection must be accessible so that it can be switched OFF in case of an emergency, but must not be accessible by the bath user. Use 1 waterproof power point under the bath. Edgetec recommends that the pump be supplied by an isolating transformer or supplied through a residential current device(RCD) with a rated operating current of <30mA. If damage does occur to the power cord it must be replaced by Edgetec or an authorised service agent or suitable qualified person.

MINTORI CONTOUR SPA BATH ORDER FORM

Spa baths are made to order on receipt of the order form & are non-refundable. Please allow approximately 15-20 working days for completion & dispatch. We recommend filling out your SPA BATH ORDER FORM with your qualified tradesperson.

COMPANY & BRANCH: _____

PHONE NO: _____ **CONTACT:** _____

ORDER NO: _____ **DATE:** _____

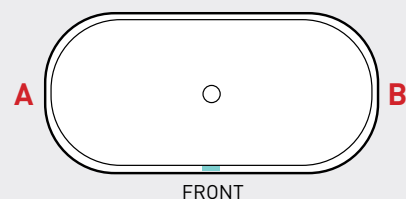
MODEL: _____ **QTY:** _____

SPA PUMP NOTES

- The Spa Pump fits directly underneath the baths perimeter
- The Spa Pump should be easily accessible for maintenance
- Waste positions can not be changed
- The Spa Pump controls will always be at the front, unless indicated below

Please refer to the technical drawings before choosing your spa pump position, as spa bath waste & pump positions CANNOT be customised

PLEASE SPECIFY THE SPA PUMP POSITION Circle **A** or **B** on the diagram



CUSTOMER NAME: _____

CUSTOMER EMAIL: _____ **CUSTOMER PHONE NO:** _____

CUSTOMER SIGNATURE: _____

*Whilst every effort is made to adhere to published jet & fittings positions, variation to specifications may occur without notice.